

SHUB[®] Screen

INSTALLATION INSTRUCTIONS

Parts Included

1. One Aluminum Canister with Polyester Screen (**PART (A)**)
2. Two Shower Rails (**PART (B)**)
3. Two End Caps (**PART (C)**) attached to One Side Extrusion (**PART (D)**)

Tools Required



Level



Tape Measure



Metal Handsaw



Caulk



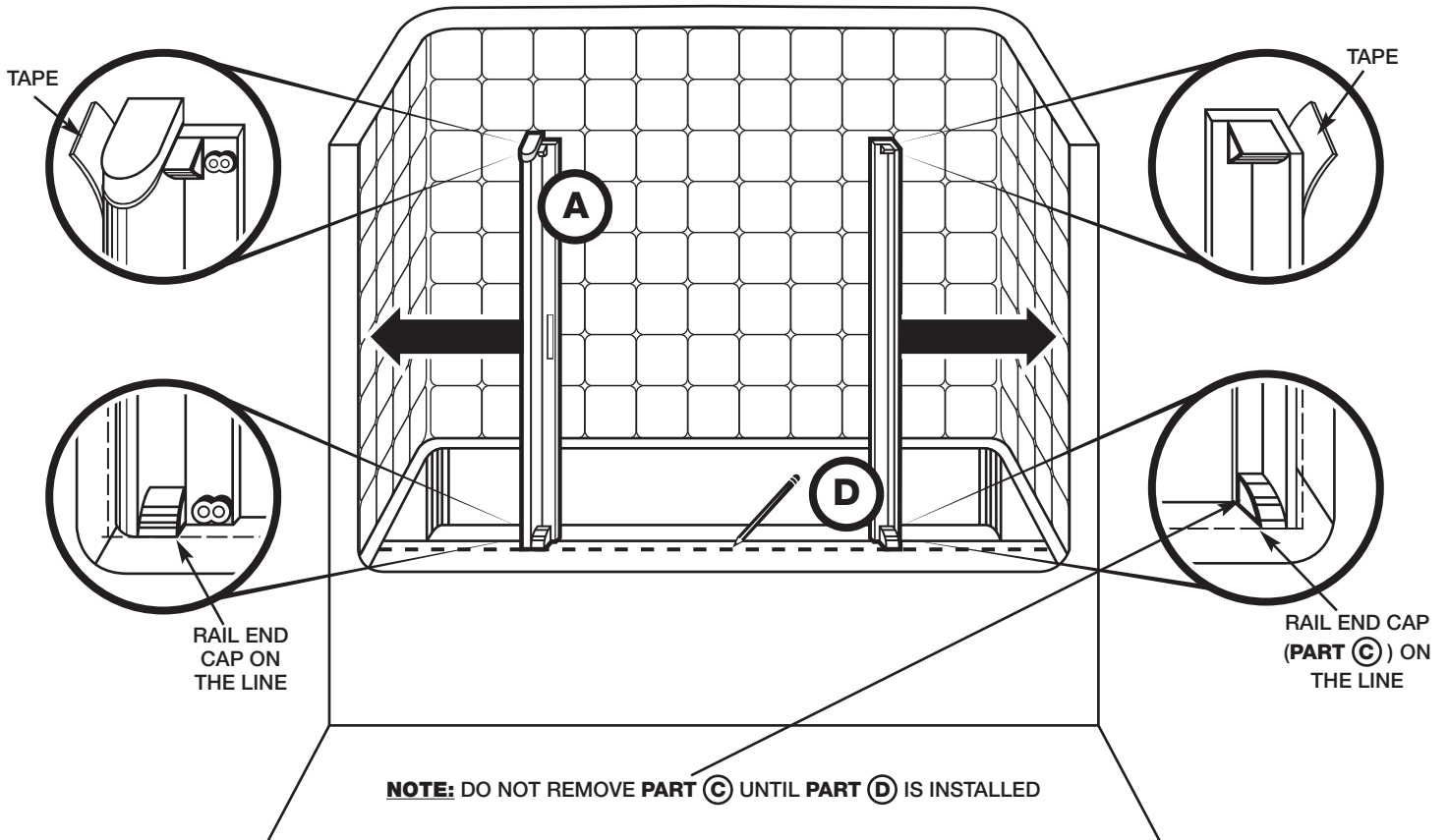
Pencil

Before Installation

- Clean surface.
- Measure wall to wall both top and bottom to make sure they are equal (1/4" difference per side allowed). If more than 1/4" attach double-sided foam tape behind part of the shower screen frame to adjust.

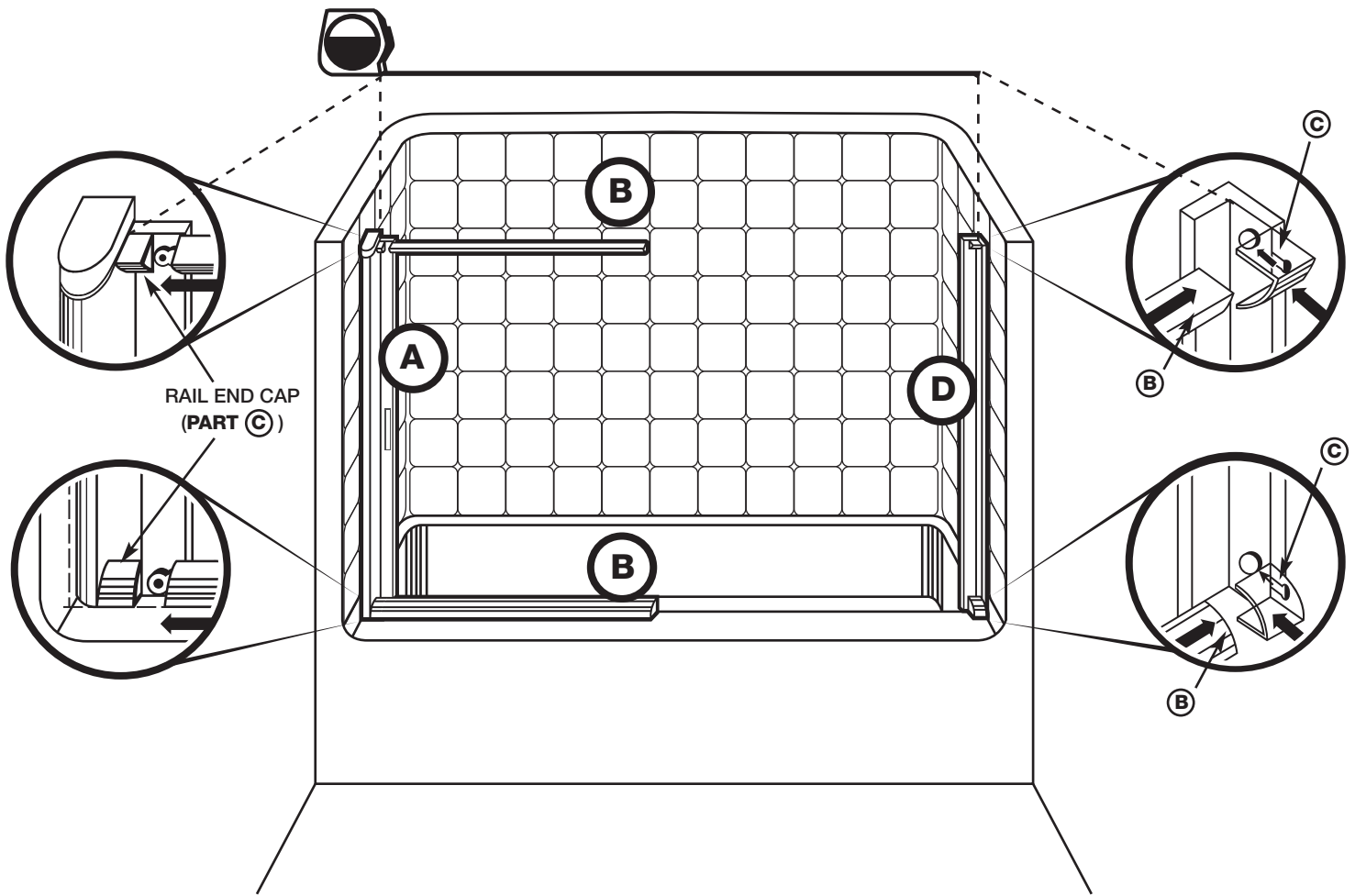
Check our website
www.newlinebathroom.com
and see an installation video.

NEWLINE
www.newlinebathroom.com



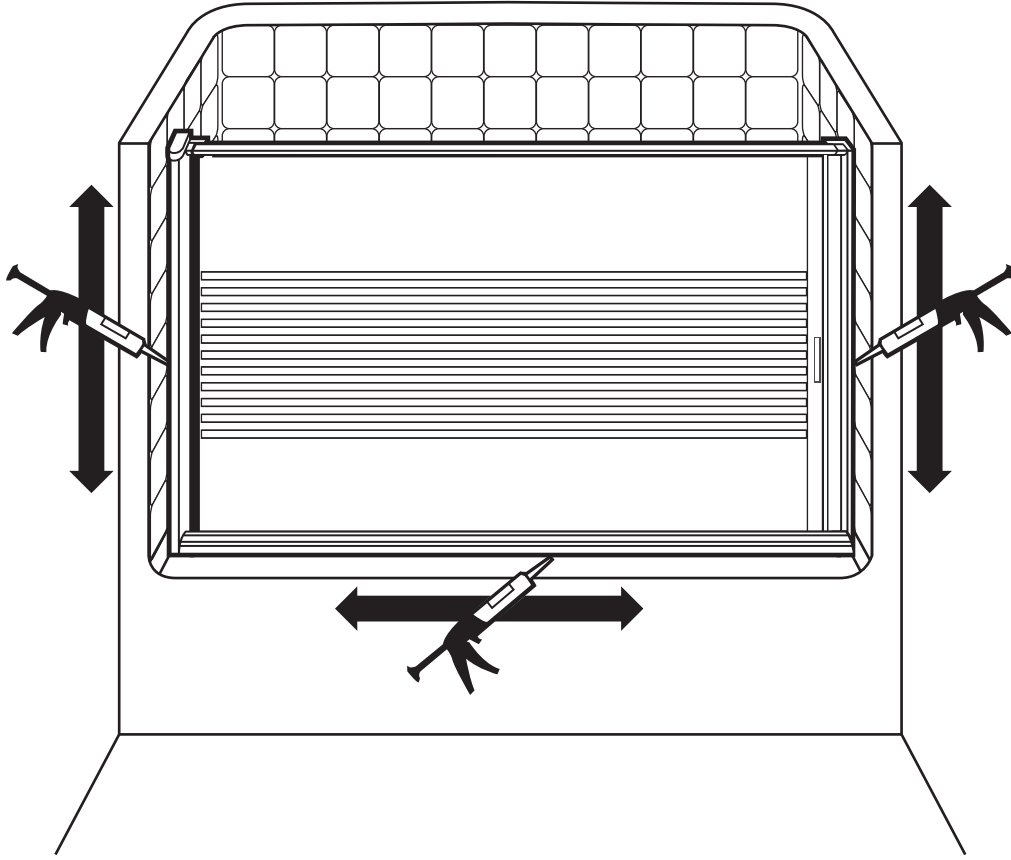
STEP ONE: Install Canister (A) and Extrusion with End Caps (D)

1. Draw a straight line along tub edge where you would like to position your rail.
2. Place (A) on left or right side of shower with handle facing outward (HANDLE IS THE LATCH DEVICE). Position the rail end cap at the edge of your pencil line. Use a level to ensure (A) is vertical. Peel off tape from (A) as shown, and press firmly against wall.
3. Position (D) with the lower rail end cap (C) at the edge of your pencil line. Use level to ensure (D) is vertical. Peel off tape from (D), and press firmly against wall.



STEP TWO: Install Rails (B)

1. Measure the distance between (A) and (D) for the UPPER and LOWER rails separately, and deduct 1/4". Transfer measurement to each (B), and cut to measured lengths.
2. Slide the upper slider ((C)) inside the track, and push (B) into the rail end cap. Unclip the UPPER rail end cap (C) from (D), place (C) on to (B), and clip it back in place.
3. Repeat for LOWER rail (B).



STEP THREE: Caulk

1. Caulk the exterior perimeter of the SHUB® Screen. Allow caulk to dry.

Enjoy your SHUB® Screen
—The Intelligent Shower Screen!

NEWLINE
www.newlinebathroom.com

WARRANTY

Limited Warranty for SHUB® Screens

WHAT IS COVERED AND FOR WHAT PERIOD THE COVERAGE EXTENDS

Newline International (hereafter “NEWLINE”) warrants to the original purchaser of this product, living in THE UNITED STATES OF AMERICA, who purchased their SHUB® Screen from a SHUB® Screen authorized distributor or dealer:

- a. that this product, including all of its SHUB® Screen authorized components, is free of defects in materials and workmanship.
- b. that this product, if found to be defective within the stated warranty period, will be replaced, or repaired (at the discretion of NEWLINE) free of charge to the consumer, provided the failure is reported directly to NEWLINE and an original receipt, showing original purchase from authorized distributor/dealer is presented at the time of claim date.

The warranty period is five (5) years from the date of purchase. The warranty applies to residential usage only. If the item seems to have been used otherwise to NEWLINE, thereafter, this limited warranty shall be null and void. Also, if proof of original purchase cannot be provided this limited warranty shall be null and void.

WHAT IS NOT COVERED BY THIS WARRANTY

This warranty does not cover damage or defects caused by, or resulting from repairs, services or alterations to the product or any of its parts or components which have been performed by service or repair centers not authorized by NEWLINE, damages or defects caused by negligence, improper installation, accident, abuse, misuse, or improper maintenance of the product, its parts and components. Ordinary wear and tear shall not be considered a defect in product or materials.

LIMITATION OF LIABILITY FOR SPECIAL, INCIDENTAL OR CONSEQUENTIAL DAMAGES

NEWLINE specifically disclaims any and all liability, whether directly or by way of indemnity for special, incidental or consequential or other damages, whether based on breach of contract, tort, strict of product liability, or other damages, or any other legal theory.

ATTACH ORIGINAL RECEIPT TO THIS WARRANTY FOR VALIDATION.

NEWLINE
www.newlinebathroom.com